

SUBMITTAL DATA SHEET



ACiQ-12CC-HH-MB	12,000 BTU/H(208/230V)	Cassette type Heat Pump System
Location: _____	Approval: _____	Date: _____
Engineer: _____	Construction: _____	Unit #: _____
Submitted to: _____	Drawing #: _____	
Submitted by: _____		
Reference: _____		

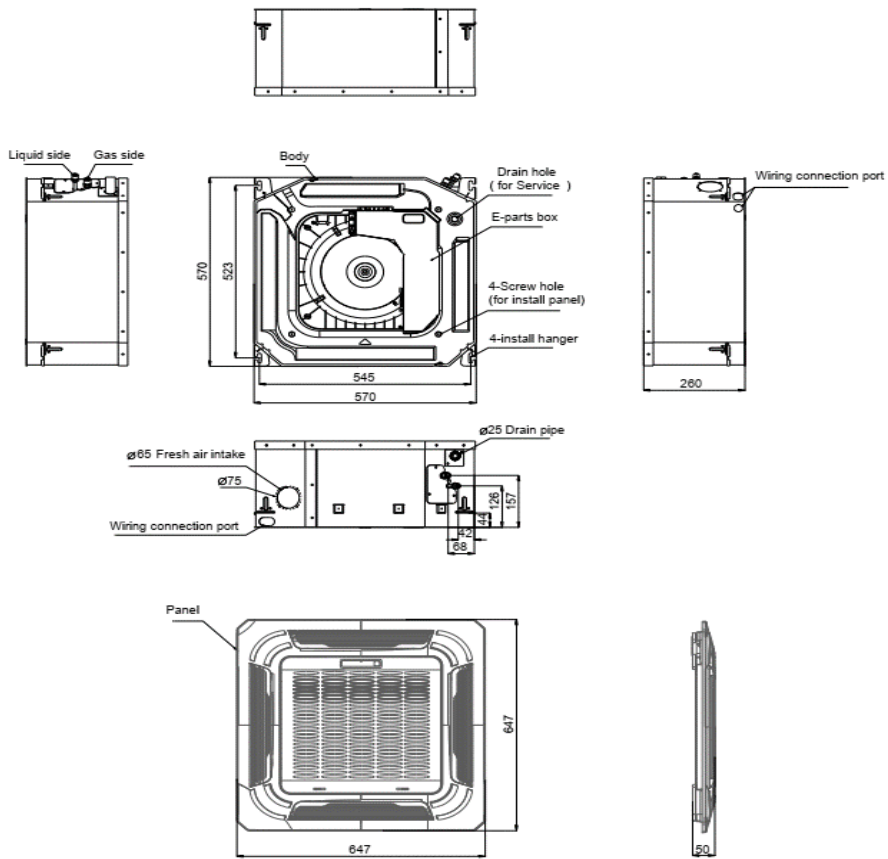
Set Code	#####
Indoor unit code	22022511000710
Set Model	
Indoor unit model	ACiQ-12CC-HH-MB
Certified	AHRI  UL 



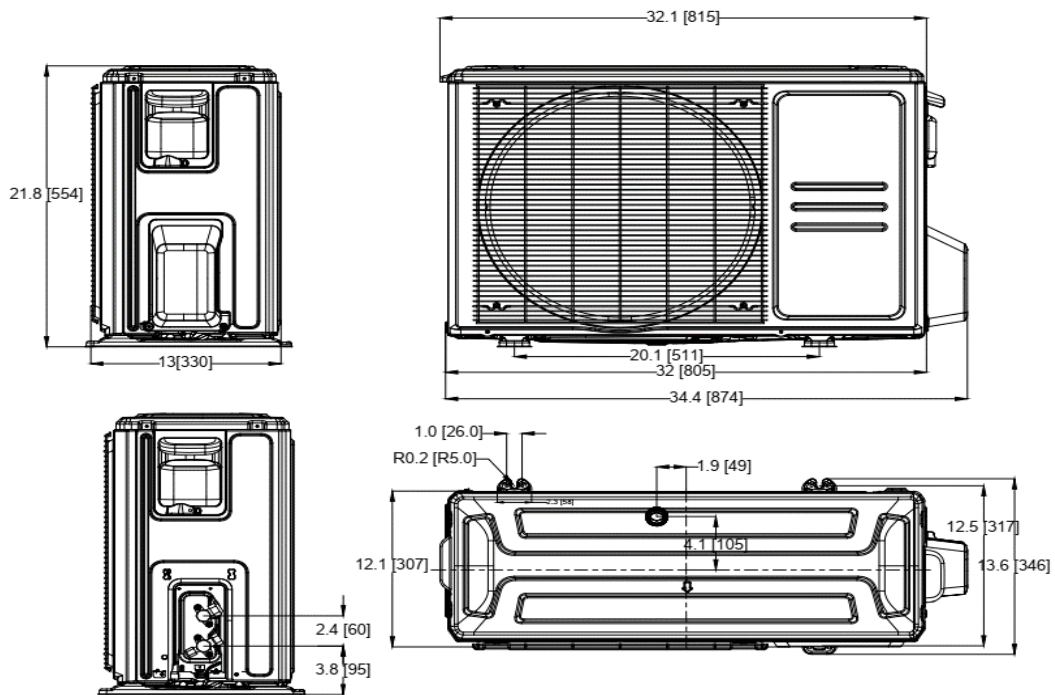
SYSTEM PERFORMANCE DATA		
Power supply		
Normal Operational Voltage	(V, Ph, Hz)	208/230, 1, 60
Voltage Range	(V)	187-253
Electrical		
Minimum circuit ampacity	(A)	15.0
Max.fuse	(A)	15.0
Connection wiring		14*4 AWG
Cooling		
Rated Capacity	(Btu/h)	12000
Capacity Range	(Btu/h)	3000~13700
Power Input (Max)	(W)	945
Rated current	(A)	4.32
SEER	(Btu/W)	21.5
EER	(Btu/W)	12.7
Heating at 47F		
Rated Capacity	(Btu/h)	12000
Capacity Range	(Btu/h)	2000~15300
Power Input (Max)	(W)	1091
Rated current	(A)	4.99
HSPF4	(Btu/W)	10.6
HSPF5	(Btu/W)	8.8
COP	W/W	3.22
Heating at 17F		
Max Capacity	(Btu/h)	14000
REFRIGERANT PIPE DATA		
Design pressure	(PSIG)	550/340
Refrigerant Type	(Oz)	R410A/41.62
Refrigerant precharge	(ft)	25.0
	(m)	7.6
Additional charge for each ft	(oz/ft)	0.16
	(g/ft)	15
Liquid side/ Gas side	(inch)	1/4" / 1/2"
	(mm)	6.35/12.7
Max. pipe length	(ft)	82.0
	(m)	25.0
Max. difference in level	(ft)	32.8
	(m)	10.0
Connection method		(Flared)
Indoor(cooling/ heating)	(Deg. °F)	60~90 / 32~86
	(Deg. °C)	16~32 / 0~30
Application area	(sq.ft)	172.22~247.57
	(m2)	16~23

INDOOR UNIT DATA		
Indoor fan motor		
Type		Cross-Flow
Model		ZKFP-46-8-1
Qty		1
Input	(W)	45.0
RLA	(A)	-
LRA	(A)	---
Winding Resistance	(Ω)	---
Capacitor	(uF)	---
Speed(Hi/Mi/Lo)	(r/min)	680/580/500
Air flow & Noise level		
Indoor air flow (Hi/Med/Lo) (N)	(CFM)	379/309/261
Indoor noise level (Hi/Med/Lo)	[dB(A)]	40.5/35.5/31.5
Dehumidification		
Indoor unit		
Dimension (WxDxH)	(inch)	22.44x22.44x10.24
	(mm)	570x570x260
Packing(WxDxH)	(inch)	26.06x26.06x12.48
	(mm)	662x662x317
Net/Gross weight	(lbs.)	35.27/41.01
	(kg)	16/18.6

Indoor unit dimension



Outdoor unit dimension



General Features

Wireless Remote with LCD Display

Sleep
Timer
Self Clean
46F Heating
Silent

Extended Performance Data