

# SUBMITTAL DATA SHEET



<b>ACIQ-18CC-HH-MB</b>	<b>18,000 BTU/H(208/230V)</b>	<b>Floor Mount type Heat Pump System</b>
Location: _____	Approval: _____	
Engineer: _____	Date: _____	
Submitted to: _____	Construction: _____	
Submitted by: _____	Unit #: _____	
Reference: _____	Drawing #: _____	

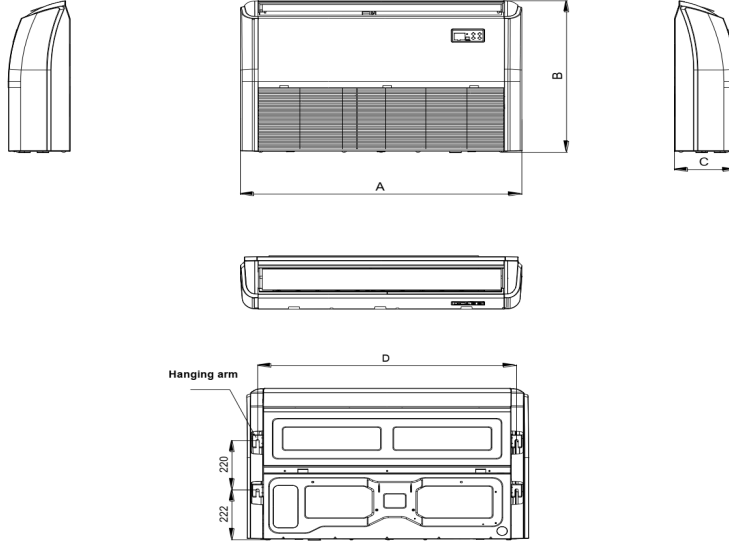
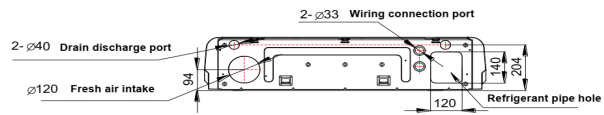
<b>Set Code</b>	22022710003216
Indoor unit code	22022711000996
<b>Set Model</b>	
Indoor unit model	ACIQ-18CC-HH-MB
<b>Certified</b>	
AHRI	
UL	



SYSTEM PERFORMANCE DATA		
<b>Power supply</b>		
Normal Operational Voltage	(V, Ph, Hz)	208/230, 1, 60
Voltage Range	(V)	187-253
<b>Electrical</b>		
Minimum circuit ampacity	(A)	16.0
Max.fuse	(A)	25.0
Connection wiring		14AWG*4 Stranded, unshielded
<b>Cooling</b>		
Rated Capacity	(Btu/h)	17000
Capacity Range	(Btu/h)	7800~19900
Power Input (Max)	(W)	1360
Rated current	(A)	8.80
SEER	(Btu/W)	20.2
EER	(Btu/W)	12.5
<b>Heating at 47F</b>		
Rated Capacity	(Btu/h)	18000
Capacity Range	(Btu/h)	8600~21500
Power Input (Max)	(W)	1655
Rated current	(A)	10.90
HSPF4	(Btu/W)	10.6
HSPF5	(Btu/W)	8.6
COP	W/W	3.19
<b>Heating at 17F</b>		
Max Capacity	(Btu/h)	18000
<b>REFRIGERANT PIPE DATA</b>		
Design pressure	(PSIG)	550/340
Refrigerant Type	(Oz)	R410A/65.2
Refrigerant precharge	(ft)	25.0
	(m)	7.6
Additional charge for each ft	(oz/ft)	0.16
	(g/ft)	15
Liquid side/ Gas side	(inch)	1/4" / 1/2"
	(mm)	6.35/12.7
Max. pipe length	(ft)	98.0
	(m)	30.0
Max. difference in level	(ft)	66.0
	(m)	20.0
Connection method		(Flared)
Indoor(cooling/ heating)	(Deg. °F)	60~90 / 32~86
	(Deg. °C)	16~32 / 0~30
Application area	(sq.ft)	247.57~355.21
	(m2)	23~33

INDOOR UNIT DATA		
<b>Indoor fan motor</b>		
Type		Cross-Flow
Model		ZKFN-90-8-1
Qty		1
Input	(W)	96.0
RLA	(A)	-
LRA	(A)	---
Winding Resistance	(Ω)	---
Capacitor	(uF)	---
Speed(Hi/Mi/Lo)	(r/min)	950/850/750
<b>Air flow &amp; Noise level</b>		
Indoor air flow (Hi/Med/Lo)	(CFM)	548.24/485.29/420.59
Indoor noise level (Hi/Med/Lo)	[dB(A)]	45.5/43/39
<b>Dehumidification</b>		
	(Pint/H)	---
<b>Indoor unit</b>		
Dimension (WxDxH)	(inch)	42.05x26.57x9.25
	(mm)	1068x675x235
Packing(WxDxH)	(inch)	45.08x29.72x12.52
	(mm)	1145x755x318
Net/Gross weight	(lbs.)	57.10/68.34
	(kg)	25.9/31

Indoor unit dimension



Capacity (Btu/h)	Unit	A	B	C	D
18K / 24K	mm	1068	675	235	983
	inch	42.05	26.57	9.25	38.70
36K	mm	1285	675	235	1200
	inch	50.59	26.57	9.25	47.24
48K/60K	mm	1650	675	235	1565
	inch	64.96	26.57	9.25	61.61

**General Features**

Wired controller(optional)

Weekly-time wired controller(optional)

Central controller

Long distance Alarm and ON/OFF controller(optional)

Build-in pump(optional)

3D airflow

**Extended Performance Data**





